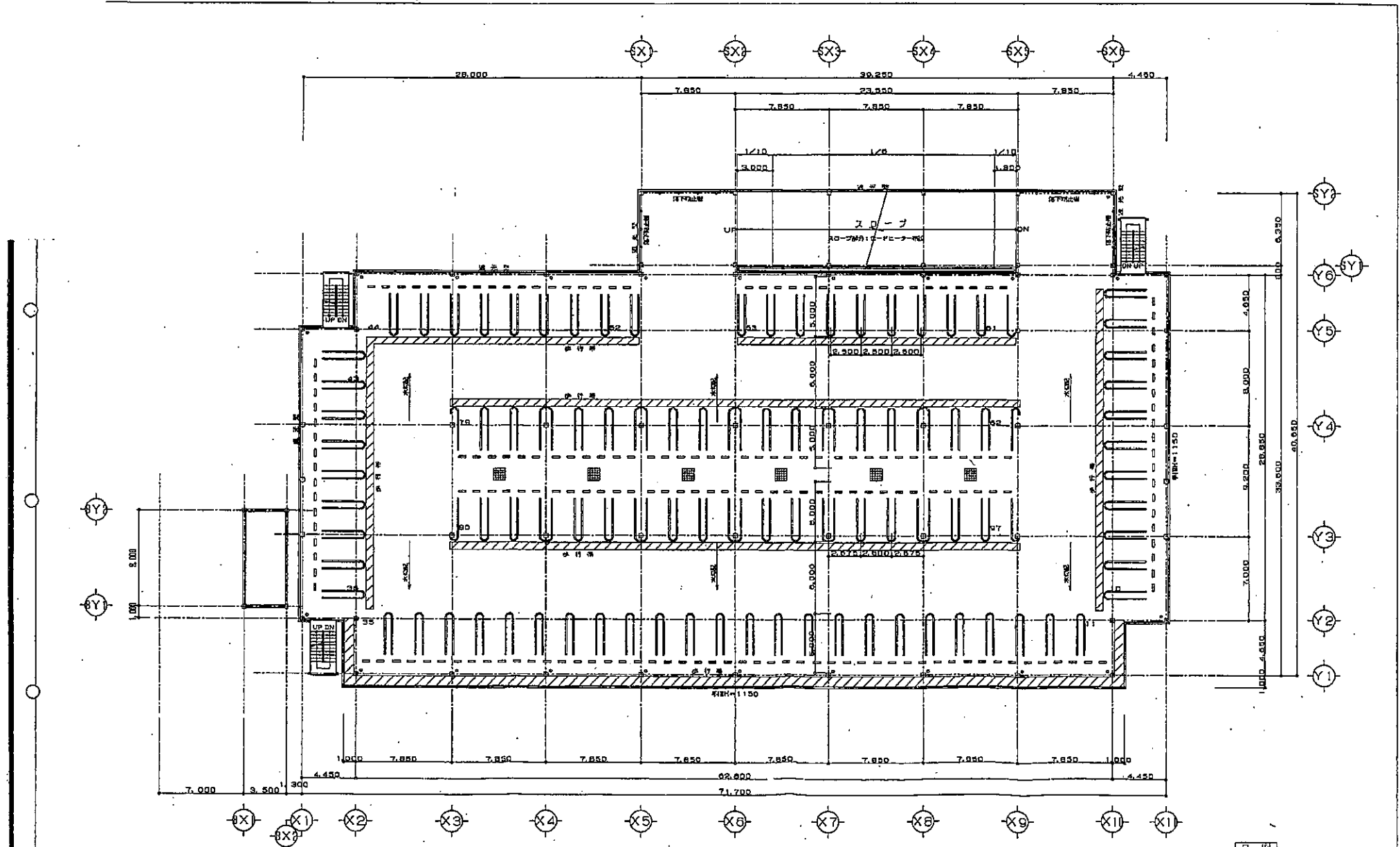
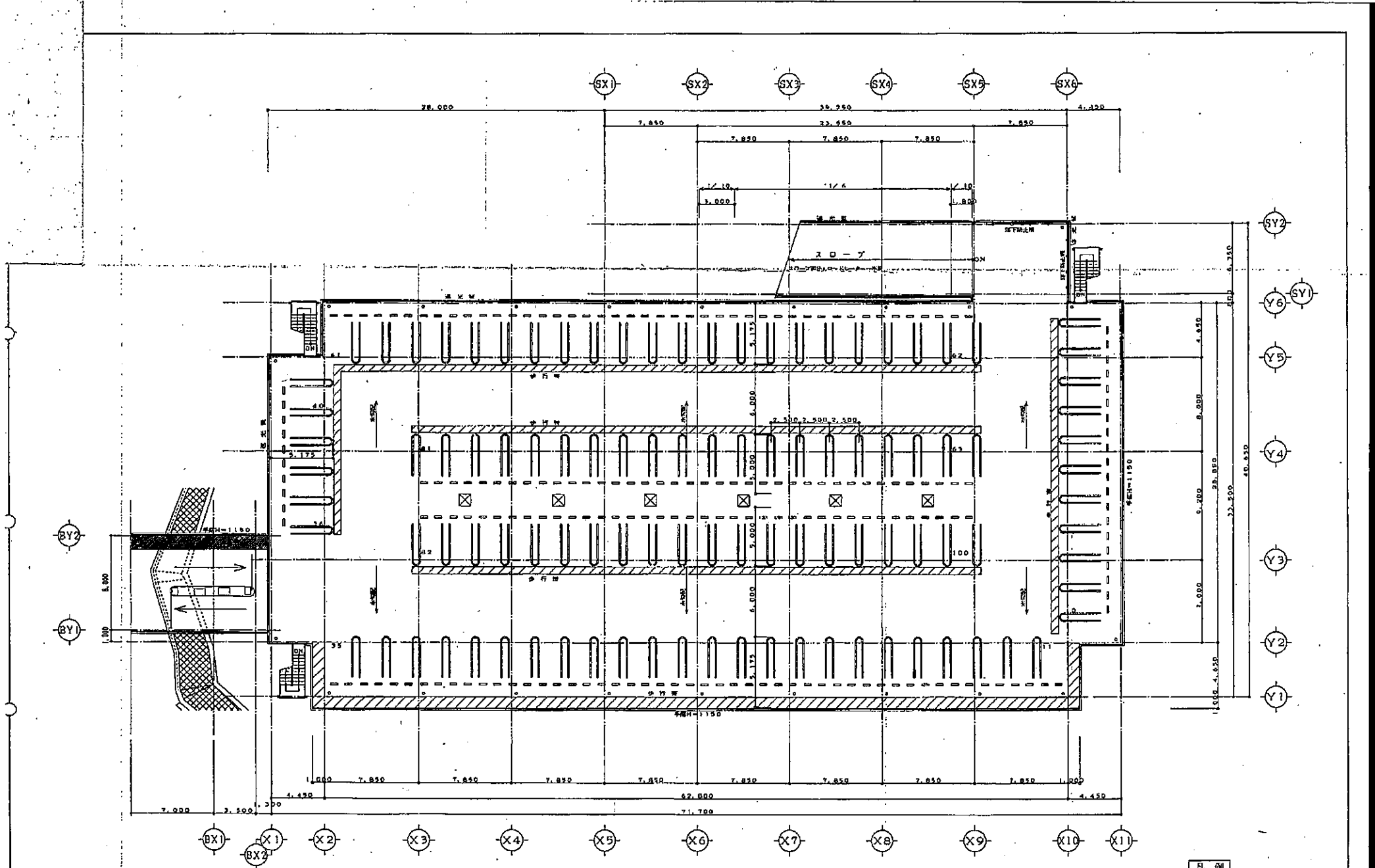


| 駐車能力 | |
|------|------|
| 1階 | 97台 |
| 2階 | 97台 |
| R階 | 100台 |
| 合計 | 294台 |

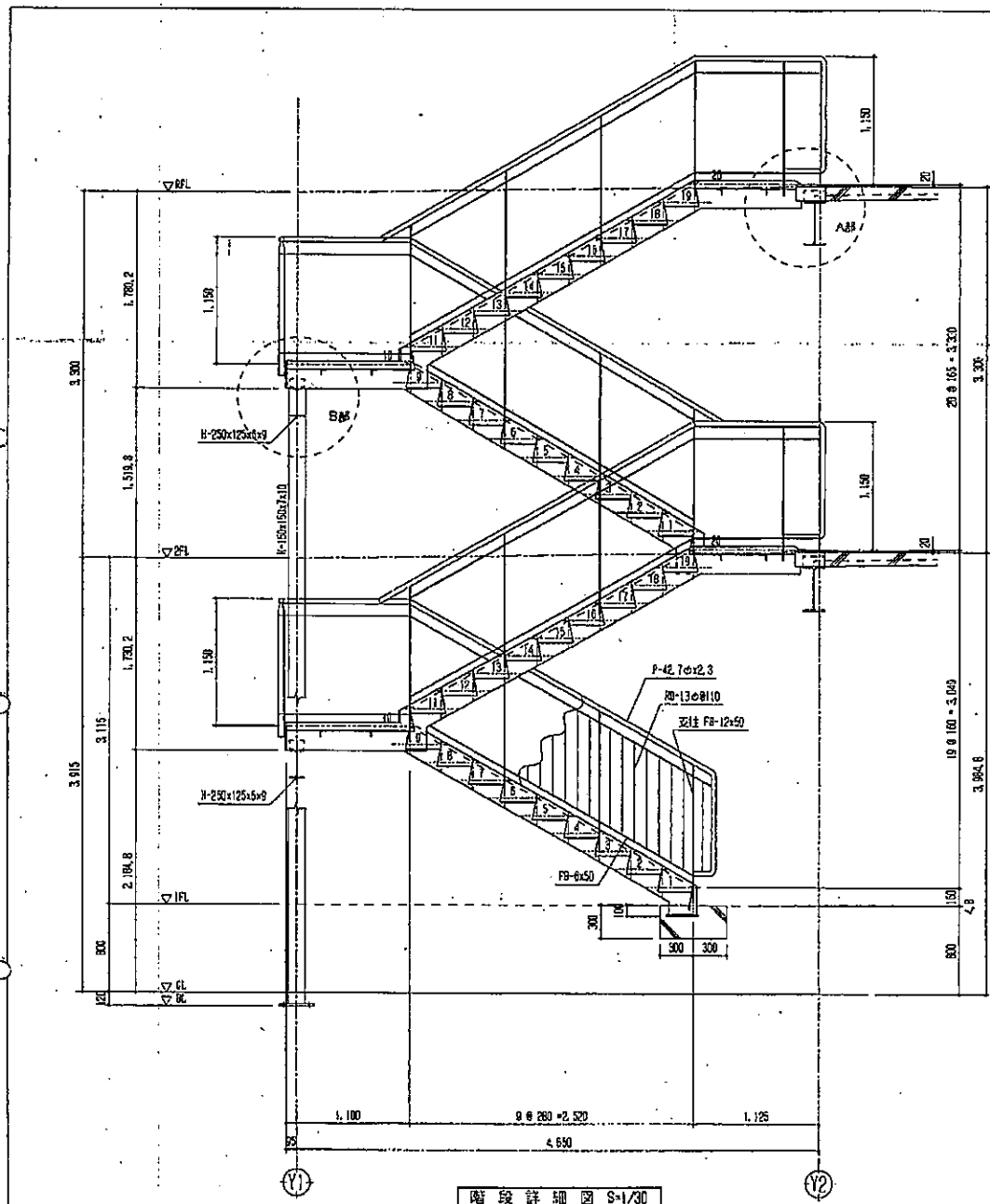


| | | | | | | | | | | | | | | | | | | | | | | | | | | | | | | | | | | | | | | | | | | | | | | | | | | | | | | | | | | | | | | | | | | | | | | | | | | | | | | | | | | | | | | | | | | | | | | | | | | | | |
|-------|-------|-------|-------|-------|-------|-------|-------|-------|--------|--------|--------|--------|--------|--------|--------|--------|--------|--------|--------|--------|--------|--------|--------|--------|--------|--------|--------|--------|--------|--------|--------|--------|--------|--------|--------|--------|--------|--------|--------|--------|--------|--------|--------|--------|--------|--------|--------|--------|--------|--------|--------|--------|--------|--------|--------|--------|--------|--------|--------|--------|--------|--------|--------|--------|--------|--------|--------|--------|--------|--------|--------|--------|--------|--------|--------|--------|--------|--------|--------|--------|--------|--------|--------|--------|--------|--------|--------|--------|--------|--------|--------|--------|--------|--------|--------|--------|--------|--------|---------|---------|
| DATE | NO. 1 | NO. 2 | NO. 3 | NO. 4 | NO. 5 | NO. 6 | NO. 7 | NO. 8 | NO. 9 | NO. 10 | NO. 11 | NO. 12 | NO. 13 | NO. 14 | NO. 15 | NO. 16 | NO. 17 | NO. 18 | NO. 19 | NO. 20 | NO. 21 | NO. 22 | NO. 23 | NO. 24 | NO. 25 | NO. 26 | NO. 27 | NO. 28 | NO. 29 | NO. 30 | NO. 31 | NO. 32 | NO. 33 | NO. 34 | NO. 35 | NO. 36 | NO. 37 | NO. 38 | NO. 39 | NO. 40 | NO. 41 | NO. 42 | NO. 43 | NO. 44 | NO. 45 | NO. 46 | NO. 47 | NO. 48 | NO. 49 | NO. 50 | NO. 51 | NO. 52 | NO. 53 | NO. 54 | NO. 55 | NO. 56 | NO. 57 | NO. 58 | NO. 59 | NO. 60 | NO. 61 | NO. 62 | NO. 63 | NO. 64 | NO. 65 | NO. 66 | NO. 67 | NO. 68 | NO. 69 | NO. 70 | NO. 71 | NO. 72 | NO. 73 | NO. 74 | NO. 75 | NO. 76 | NO. 77 | NO. 78 | NO. 79 | NO. 80 | NO. 81 | NO. 82 | NO. 83 | NO. 84 | NO. 85 | NO. 86 | NO. 87 | NO. 88 | NO. 89 | NO. 90 | NO. 91 | NO. 92 | NO. 93 | NO. 94 | NO. 95 | NO. 96 | NO. 97 | NO. 98 | NO. 99 | NO. 100 |
| NO. 1 | NO. 2 | NO. 3 | NO. 4 | NO. 5 | NO. 6 | NO. 7 | NO. 8 | NO. 9 | NO. 10 | NO. 11 | NO. 12 | NO. 13 | NO. 14 | NO. 15 | NO. 16 | NO. 17 | NO. 18 | NO. 19 | NO. 20 | NO. 21 | NO. 22 | NO. 23 | NO. 24 | NO. 25 | NO. 26 | NO. 27 | NO. 28 | NO. 29 | NO. 30 | NO. 31 | NO. 32 | NO. 33 | NO. 34 | NO. 35 | NO. 36 | NO. 37 | NO. 38 | NO. 39 | NO. 40 | NO. 41 | NO. 42 | NO. 43 | NO. 44 | NO. 45 | NO. 46 | NO. 47 | NO. 48 | NO. 49 | NO. 50 | NO. 51 | NO. 52 | NO. 53 | NO. 54 | NO. 55 | NO. 56 | NO. 57 | NO. 58 | NO. 59 | NO. 60 | NO. 61 | NO. 62 | NO. 63 | NO. 64 | NO. 65 | NO. 66 | NO. 67 | NO. 68 | NO. 69 | NO. 70 | NO. 71 | NO. 72 | NO. 73 | NO. 74 | NO. 75 | NO. 76 | NO. 77 | NO. 78 | NO. 79 | NO. 80 | NO. 81 | NO. 82 | NO. 83 | NO. 84 | NO. 85 | NO. 86 | NO. 87 | NO. 88 | NO. 89 | NO. 90 | NO. 91 | NO. 92 | NO. 93 | NO. 94 | NO. 95 | NO. 96 | NO. 97 | NO. 98 | NO. 99 | NO. 100 | |

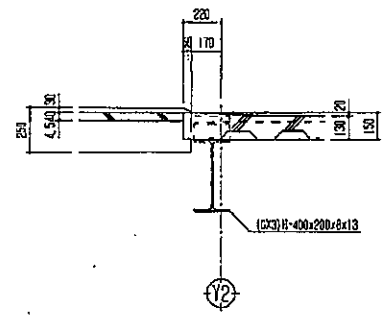


凡例
 ○ 排水ドレン位置を示す。

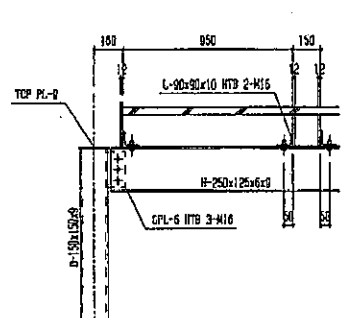
| | | | | | | | |
|----|----|-------|-------|-----|-------|---------------|------|
| 図名 | 図号 | 縮尺 | 設計者 | 設計日 | 設計所 | 建設者 | 図面番号 |
| | | 1:200 | 丸岡 隆雄 | | 丸岡 隆雄 | 徳島総合病院2号館増築工事 | A-07 |



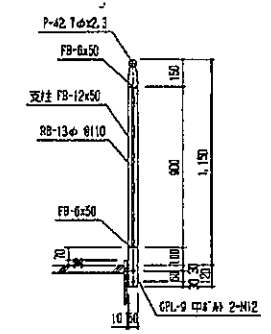
階段詳細図 S=1/30



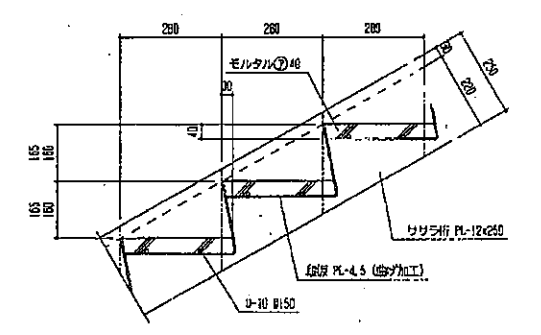
A部詳細図 S=1/20



B部詳細図 S=1/20



手摺詳細図 S=1/20



段板詳細図 S=1/10

| | | | | | | | |
|------|--------|----------|-----------|---------------|---------------|----------|------|
| DATE | 1.1.30 | FIG. NO. | 階段詳細図 (2) | CONTRACT NAME | 滋田綜合開発株式社建設工事 | FIG. NO. | A-11 |
|------|--------|----------|-----------|---------------|---------------|----------|------|